

MOSCA  
M-8

REVOLUTIONIZE YOUR  
END-OF-LINE [PACKAGING]  
PERFORMANCE

MOSCA



NONSTOP RESPONSIBLE  
NONSTOP RELIABLE  
NONSTOP INTELLIGENT  
NONSTOP PROGRESSIVE

Semi-Automatic  
Strapping Machine



Newspapers & Print Media, Mail Order & Logistics,  
Food & Beverage, Corrugated Cardboard & Paper



Heat-weld Sealing Unit | Standard-3



Energy-efficient  
electrical drives



Energy-efficient electrical drives



Entry-level machine



NONSTOP PERFORMANCE

# MO-M-8

## SEMI-AUTOMATIC STRAPPING MACHINE

The MO-M-8 is an entry-level machine for customers who only strap a small number of packages but do not want to sacrifice efficiency and reliability.

The strapping cycle runs semi-automatically and does not require a strap guide frame. The machine is easy to operate – after the strap is placed around the package by hand, the machine uses a heat-weld sealing unit to seal the strap ends.

### TECHNICAL DATA

Performance:  
Depending on the operator

Table Size:  
980 x 540 mm

Working Height:  
820 - 900 mm

Straps:  
PP straps: Width: 5, 8 or 12 mm  
Thickness: 0.4 - 0.8 mm

Strap Coil Dispenser:  
Core diameter: 200 mm  
Core width: 190 mm

Electricity:  
Voltage: 100 - 240 V, 50 / 60 Hz, 1L+N+PE  
(others on request)  
Power consumption: approx. 0.12 kW

Weight: (without options)  
120 kg

### STANDARD FEATURES

Heat-weld sealing unit in standard-3 version

Wear-free DC drive, brushless motor technology

Easy strap coil change and threading system

Soft strapping with open sliding position for sensitive packages

Adjustable strap tension via potentiometer

Energy-saving drives

Electronic controls

Hinged table top made of stainless steel

4 castors of which 2 are lockable

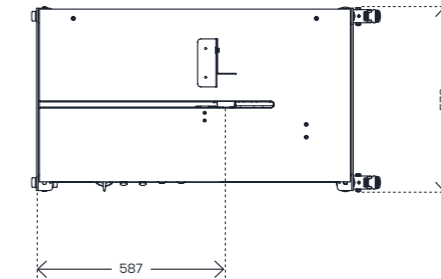
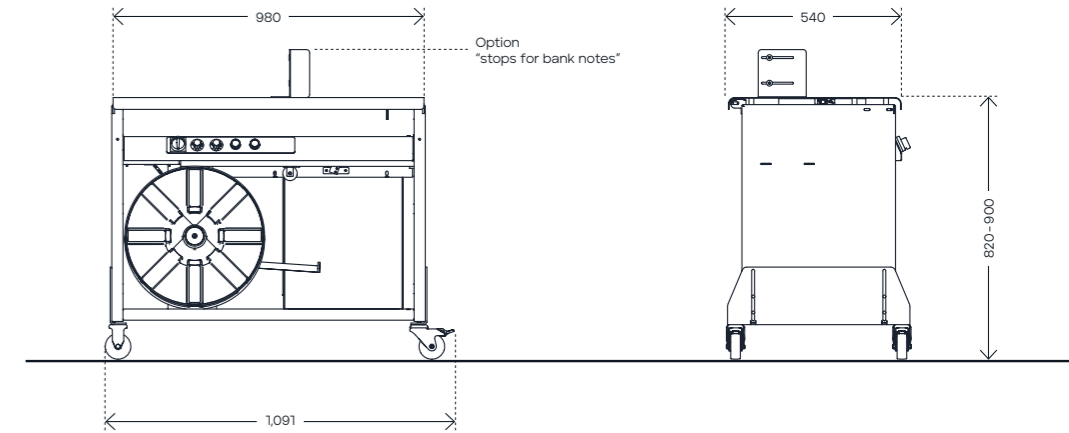
Strap feed from sealing head level via potentiometer

Quiet sealing unit

Package width min. 80 mm

CE marking inclusive conformity declaration

### DIMENSIONS / WORKING WIDTH MACHINE (in mm)



### OPTIONS

Package stop (stop for bank notes)

### HOLISTIC SUPPORT WITH THE MOSCA SYSTEM

Suitable consumables available directly from Mosca. Can be combined with Mosca maintenance contracts - all from one source.

### CONTACT US FOR A PERFORMANCE CONSULTATION!

mosca.com

Mosca GmbH  
Gerd-Mosca-Straße 1 · 69429 Waldbrunn

info@mosca.com · +49 6274 / 932-0

